

LCD08B 32"-80" 70KG LARGE TV BRACKET

The LCD08B is a full-motion wall mount for 32" – 80" flat-panel TVs up to 70kg. It features an extension of up to 610mm from the wall and 90° of swivel left and right for the best view from any seat in a room.

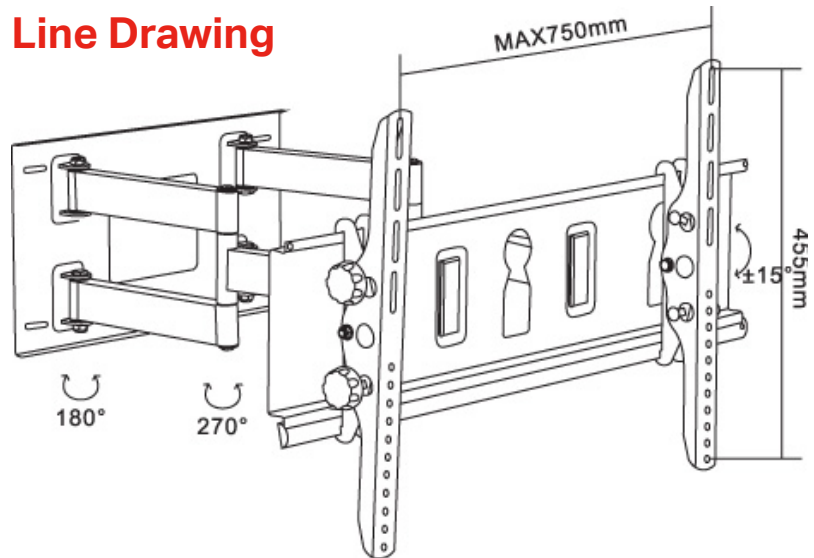
- ▶ Tilt and Turn Pivot
Ideal for mounting TVs at an angle
- ▶ Dual-arm design for extra strength
- ▶ Suits TVs up to 80"
- ▶ All mounting hardware included
- ▶ 12 Month Warranty



Specifications

Class:	Large / 2 Pivot
Mount:	Wall
Max Weight:	70 KG
Compliance:	Vesa, Universal
Vesa sizes (mm):	75 x 75 100 x 100 200 x 200 200 x 400 400 x 400
Universal mount (max):	750 x 455 mm
Tilt:	15°
Turn:	180°
Distance from Wall:	110~610 mm
Back Plate Dimension:	680 (W) x 270 (H) mm
Material:	Iron
Bracket Weight:	17.6 kg
Colour:	Black
Warranty:	12 months

Line Drawing



Ideal for installers

This Doss bracket has been designed to be set up and ready to go right off the bat, allowing you to get the job done quicker and more efficiently.

Packaged in a mainly pre-assembled state, all you need to do is to mount the bracket to the wall and attach the TV! There's no need to follow complicated instructions and waste time having to try to fit the pieces together! [View the full Doss on-wall range here](#)

