

10X 1080P HD IP IR PTZ Camera

Quick Start Guide

Thank you for purchasing 10X 1080P HD Network IR PTZ Camera . Before installation, please verify the model of the camera and read this guide carefully.

Warnings

Installation and servicing should be performed only by qualified and experienced personnel to conform to all related codes and to maintain your warranty.



24V DC models require the use of Certified power adapters to ensure compliance with electrical safety standards.

 CAUTION RISK OF ELECTRIC SHOCK DO NOT OPEN	 This symbol indicates that inside the device can lead to the danger of high voltage electric shock
Caution To reduce the risk of electric shock, do not remove the cover. No user-serviceable parts inside refer servicing to qualified service personnel .	 This symbol indicates important operating and maintenance instructions of the equipment.



WEEE (Waste Electrical and Electronic Equipment Directive). Please dispose of the waste properly, handling the waste in compliance with local labor laws and regulations when it reaches its lifetime.



Changes or modifications not expressly approved by the manufacturer could void the user's authority to operate the equipment.

Note:

1. Please avoid operating above 55°C high temperature environment.
2. Avoid to install where more violent shaking .
3. Connect proper power supply.
4. Non-technician should not try to operate this device unless it is authorized, open or move the cover of the device may get danger, any questions please contact the professionals.

Packing list

- PTZ camera (Include bracket)
- Rubber plugs and mounting screws
- CD

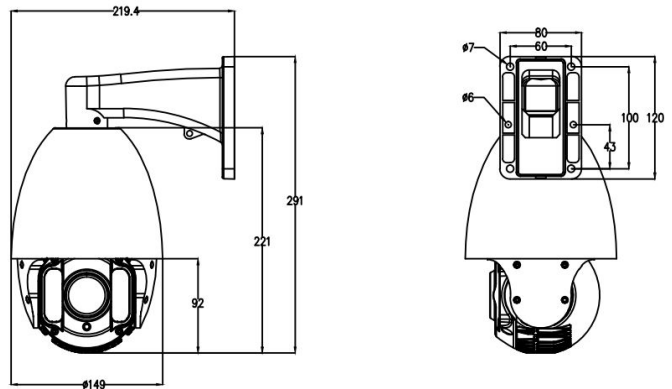
Installation

1. Put the cable through the wall mount bracket and fixed the dome camera to the bracket tightly with screws.
2. Use the rubber plugs and mounting screws to fixed bracket on the wall.



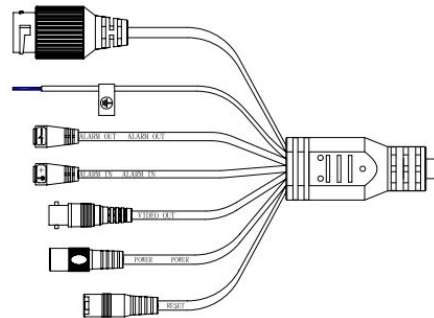
PTZ Camera

Bracket



Wall mount bracket

Interface



1. RJ45
2. GND
3. Alarm output (black)
4. Alarm input (green)
5. Analog video output
6. Power supply input, DC24V
7. Reset button



- Please use the plastic or metallic sheath to protect the connection cable for safety

Installation environment requirements

Far away from high-temperature or humid environment, notice ventilation and avoid installing in shaky place.

Recommend operating environment

-20°C ~ 55°C (The camera will enable cold start below -20°C , then it will turn on the IR leds automatically and operate normally after heating in 30 minutes)

Hardware installation steps

Please make sure LAN and WAN are working smoothly before the Network High Speed Dome installation. After checked all the network system in good condition, keep your hands clean and dry, following the steps below.

- Open the box to check the goods
- Take out all goods which needed for installation
- Connect the wires by your need (power supply, cable, audio, etc)
- Connect the power supply

Note:

- When open the box, please check all of parts carefully, confirm the parts as same as packing list.

- Please read the user manual carefully before the installation.
- Make sure to turn off all the power when install the camera
- Please confirm the power transformer, avoid the device damage with unmatched power source

Specification:

Pick-up device	1/2.8" CMOS
Optical zoom	10X
Effective Pixels	200W
Resolution	>1000TVL
S/N Ratio	≥50dB
Min. Illumination	IR OFF: Color:0.05Lux@F1.6 IR ON:0Lux B/W :0.005Lux@F1.6
Focal Length	5.1~51mm
FOV	54°~4.9° (Near-Far)
Iris	F1.6~F1.8
Zoom speed	About 4s
Focus	AUTO/ Semi-Auto/ Manual
White Balance	AUTO/ Whitelamp/ 4000K/ 5000K/ Sunshine/ Dark clouds/ Flash light/ Fluorescent lamp/ High fluorescent lamp/ Water bottom/ Customized
Iris control	AUTO/ Manual
Electronic shutter	AUTO (1/25~1/5, 000 s) Manual (1/5~1/5, 000 s)
AGC	100, 150, 200, 300, 400, 600, 800, 1600, 3200, 6400, 12800, 25600, 51200, 102400
BLC	OFF/ ON
WDR	OFF/ ON
Day&Night	Auto, COLOR, B/W(ICR)
Rotation	Normal/ H-Mirror/ V-Mirro
NR	OFF/ON
IR Beam Distance	50~80m IR distance
Angle Field of IR	Change with focus
IR Control	Brightness and angle changed with scene
Operation	
Horizontal rotate	360 ° continuous rotation
Vertically rotation	0-90°
Manual control speed	0.1°-200°/s
Preset	255
Preset Accuracy	0.1°
Preset speed	240°/s
zone scan	1
Pattern	4
Proportion zoom	Auto
Home Function	Preset/ cruise/ Pattern / zone
Auto reverse	Machinery reverse
Power Memory	Support
3D positioning	Support
Speed Dome Cameras upgrade	Support online remote upgrade

Network			
Video encoding	video compression	H.264	
	Max frame rate	1080p@25/30fps	
	Main-stream	resolution	1920x1080(1080p) , 1280x960(960p) , 1280x720(720p), 720x576(D1), 720x480(D2), 640x480(VGA), 352x288(CIF), 352x240, 320x240(QVGA)
		frame rate	1~30fps
		Bit rate	100Kbps~6000Kbps, support CBR/VBR
	Sub-stream	resolution	720x480(D2), 640x480(VGA), 352x288(CIF), 352x240, 320x240(QVGA)
		frame rate	1~30fps
		Bit rate	100Kbps~1000Kbps, support CBR/VBR
	Video cover	4 zones	
	OSD	Support date/time, code rate/ camera title display, chars can be moving	
Image	Brightness, Contrast, Saturability, Sharpness adjustable through client and IE explorer		
Port protocol	GB/T28181, ONVIF Profile S		
Network protocol	IPv4, TCP, UDP, HTTP, HTTPS, SMTP, FTP, NTP, DNS, DDNS, DHCP, RTSP, RTP, RTCP, SNMP		
TF card	Max 64G		
Poe	Support		
Alarm input	1ch input		
Alarm output	1ch output, support alarm linkage		
Alarm action	TF card video recording/ FTP transmission/ Email inform/ snapshot / Preset / alarm output		
General			
IP Grade	IP66		
Operating temperature	-20℃~55℃ (The camera will enable cold start below -20℃, then it will turn on the IR leds automatically and operate normally after heating in 30 minutes)		
Humidity	0%~90% comparatively Humidity(Non-condensation)		
Size	291(H) x 149 (D) mm		
Weight	2.7Kg		
Power supply	DC24V1.5A (±10%) *not included		
Power Consumption	25W		